

SECTION AF

ENGINE (Motor)  
MARK I

ENGINE (Motor) — MARK 1

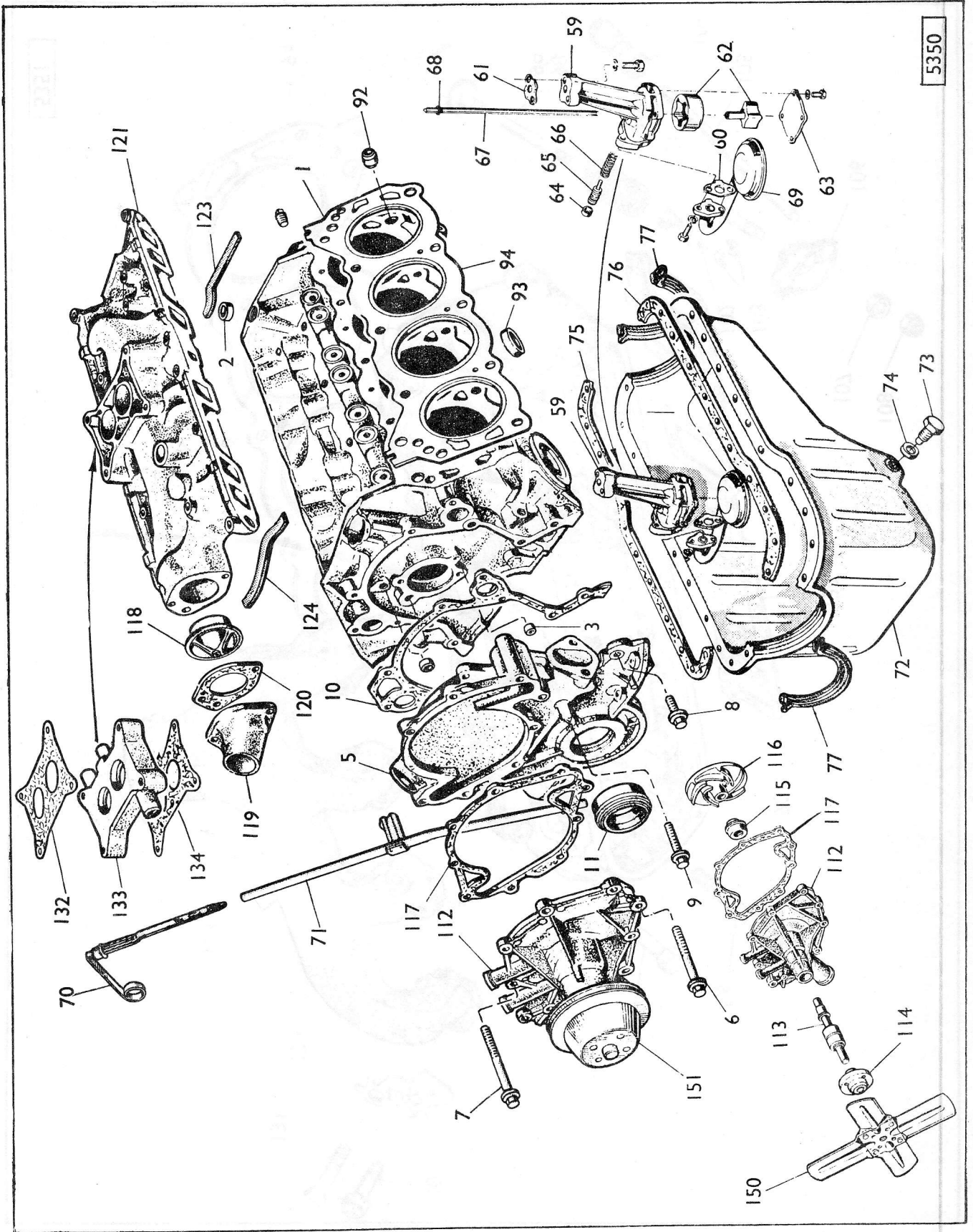


PLATE A — SECTION AF

ENGINE (Motor) — MARK 1

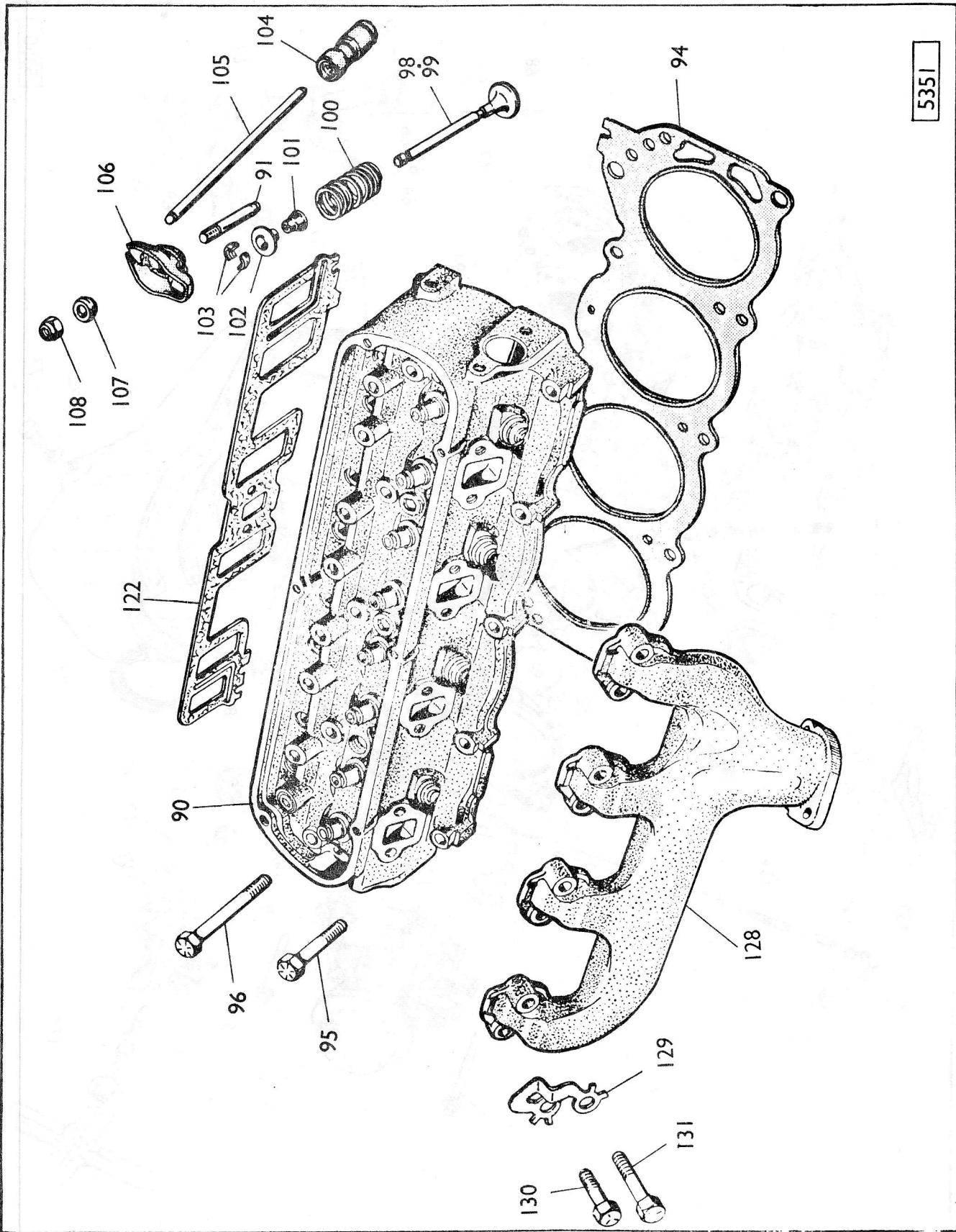


PLATE B — SECTION AF

ENGINE (Motor) — MARK 1

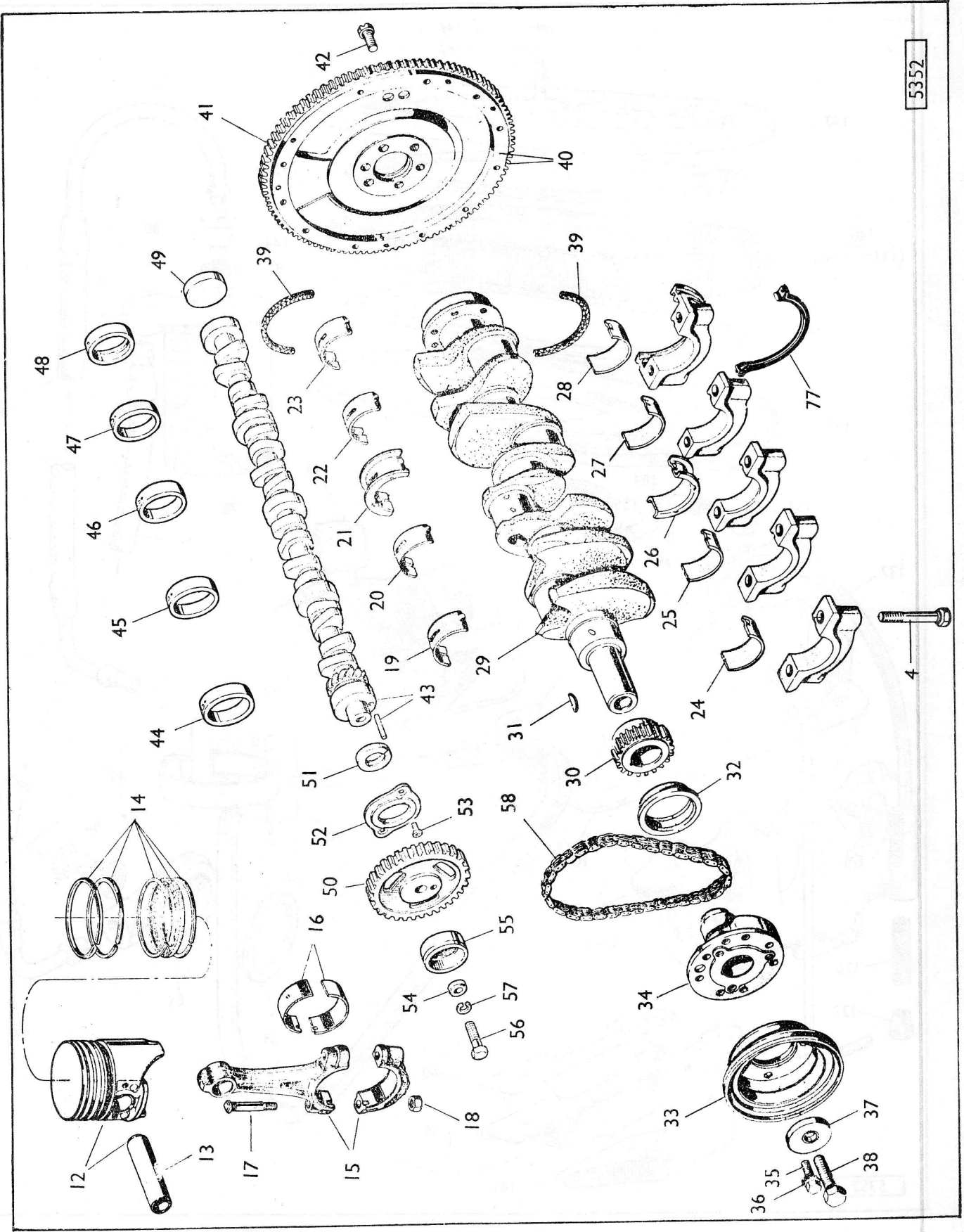


PLATE C — SECTION AF

# ENGINE (Motor) — MARK 1

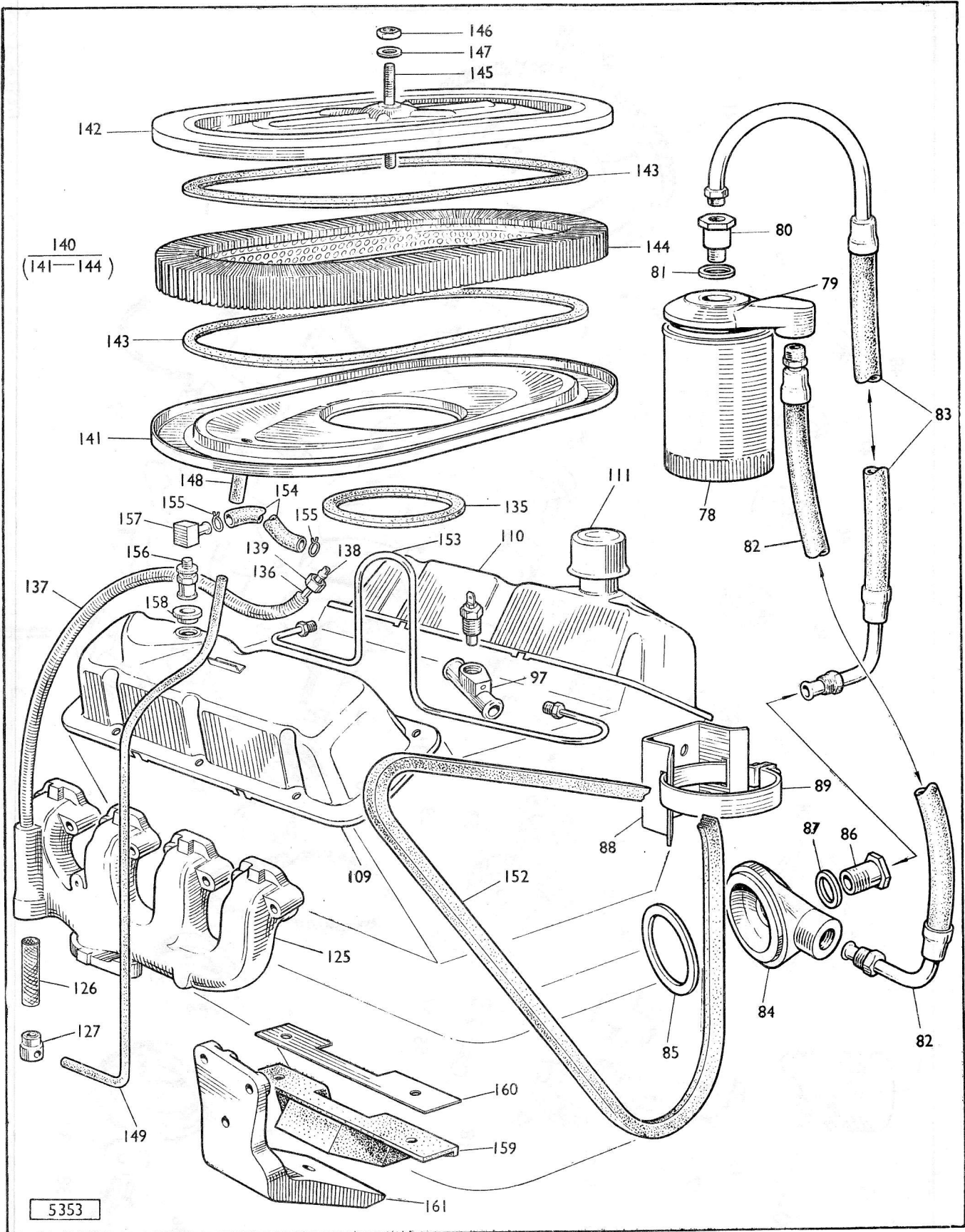


PLATE D — SECTION AF

ENGINE (Motor) — MARK 1

Plate Ref.	Rootes Part Number	DESCRIPTION	No. per Veh.	REMARKS
		<b>CYLINDER ASSEMBLY</b> ... ..	1	Includes items marked *
A1	6100503	*CYLINDER BLOCK (3·8" Bore) ... ..	1	
	6100502	Dowel, $\frac{3}{8}$ " $\times$ $\frac{3}{16}$ "—Cylinder block to Clutch housing	2	
A2	6100548	Plug, $\frac{3}{4}$ " (Rear cup type)—Cylinder block ... ..	1	
A3	6100549	Plug, ·270/·275" O.D. $\times$ 20" long (Acorn shaped)—		
	6100511	Cylinder block (at Distributor boss) ... ..	1	
C4	6100567	Bolt—Main bearing caps, $\frac{1}{16}$ " $\times$ 3·15"	10	
	6100367	Cover—Petrol (Fuel) pump aperture ... ..	1	
	6100293	Gasket—Cover ... ..	1	
	6100561	Bolt, $\frac{5}{16}$ " $\times$ $\frac{3}{4}$ " Hex. head } Cover ... ..	2	Superseded by 9661203
	6100562	Washer, $\frac{5}{16}$ " lock ... ..	2	
	9661203	Washer, $\frac{5}{16}$ " lock ... ..	2	
	6100151	TIMING COVER ... ..	1	
A5	6100151	Bolt, $\frac{5}{16}$ " $\times$ 3· $\frac{7}{16}$ " ... ..	3	} For water pumps with cast iron body
A6	6100550	Bolt, $\frac{5}{16}$ " $\times$ 4 $\frac{1}{8}$ " Hex. } Water pump and timing cover to block ... ..	1	
A7	6100551	Bolt, $\frac{5}{16}$ " $\times$ 1" Hex. Washer hd. } Timing cover ... ..	5	
A8	6100552	Bolt, $\frac{5}{16}$ " $\times$ 2" Hex. Washer hd. } to block ... ..	1	
A9	6100553	Bolt, $\frac{5}{16}$ " $\times$ 1·06" } Water pump and timing cover ... ..		
	6100771	Bolt, $\frac{5}{16}$ " $\times$ 1·38" } to block ... ..		
	6100772	Bolt, $\frac{5}{16}$ " $\times$ 2 $\frac{1}{4}$ " } to block ... ..		
	6100773	Gasket—Timing cover to block ... ..	1	
A10	6100435	Oil seal—Timing cover ... ..	1	
A11	6100216	*PISTON ASSEMBLY—Solid—3 ring grooves, Standard Red. 3·7979" ... ..	8	
	6100512	Piston Assembly—Solid—3 ring grooves, ·020" o/s ... ..	8	
C12	6100513	Piston Assembly—Solid—3 ring grooves, ·030" o/s ... ..	8	
	6100514	Piston Assembly—Solid—3 ring grooves, ·040" o/s ... ..	8	
	6100515	Piston Assembly—Solid—3 ring grooves, ·060" o/s ... ..	8	
C13	6100516	Gudgeon pin—Standard. Green, ·9120"/·9123" O.D., ·595"/·605" I.D. $\times$ 3·016"/3·030" long ... ..	8	
	6100517	*Partial ring set—Piston—Hilo Standard, ... ..	4	} To re-ring 2 pistons
	6100518	Partial ring set—Piston—Hilo, ·020" o/s ... ..	4	
C14	6100519	Partial ring set—Piston—Hilo, ·030" o/s ... ..	4	
	6100520	Partial ring set—Piston—Hilo, ·040" o/s ... ..	4	
	6100522	Partial ring set—Piston—Hilo, ·060" o/s ... ..	4	
C15	6100154	*CONNECTING ROD ASSEMBLY ... ..	8	
	6100523	*BIG END BEARING—Standard Red—Size ·0571" ... ..	16	
	6100524	*BIG END BEARING—Standard Blue—Size ·0572" ... ..	16	
C16	6100525	Big End Bearing, ·002" u/s ... ..	16	
	6100526	Big End Bearing, ·010" u/s ... ..	16	
	6100527	Big End Bearing, ·020" u/s ... ..	16	
	6100528	Big End Bearing, ·030" u/s ... ..	16	
C17	6100530	*Bolt, $\frac{5}{16}$ " $\times$ 2·08" } Connecting ... ..	16	
C18	6100529	*Nut, $\frac{5}{16}$ " Hex. } rod ... ..	16	
		<b>STANDARD MAIN BEARINGS—UPPER</b>		
C19	6100175	*Main Bearing—Standard Red, ·0956" upper front ... ..	1	
C20	6100175	*Main Bearing—Standard Red, ·0956" upper front inter. ... ..	1	
C21	6100176	*Main Bearing—Standard Red, ·0956" upper centre ... ..	1	
C22	6100175	*Main Bearing—Standard Red, ·0956" upper rear inter. ... ..	1	
C23	6100175	*Main Bearing—Standard Red, ·0956" rear ... ..	1	
	6100177	*Main Bearing—Standard Blue, ·0960" upper front ... ..	1	
	6100177	*Main Bearing—Standard Blue, ·0960" upper front inter. ... ..	1	
	6100178	*Main Bearing—Standard Blue, ·0960" upper centre ... ..	1	
	6100177	*Main Bearing—Standard Blue, ·0960" upper rear inter. ... ..	1	
	6100177	*Main Bearing—Standard Blue, ·0960" upper rear ... ..	1	

ENGINE (Motor) — MARK 1

Plate Ref.	Rootes Part Number	DESCRIPTION	No. per Veh.	REMARKS
		<b>UNDERSIZE MAIN BEARINGS—UPPER</b>		
	6100179	Main Bearing, .002" u/s, upper front ... ..	1	
	6100179	Main Bearing, .002" u/s, upper front inter. ... ..	1	
	6100180	Main Bearing, .002" u/s, upper centre ... ..	1	
	6100179	Main Bearing, .002" u/s, upper rear inter. ... ..	1	
	6100179	Main Bearing, .002" u/s, upper rear ... ..	1	
	6100181	Main Bearing, .010" u/s, upper front ... ..	1	
	6100181	Main Bearing, .010" u/s, upper front inter. ... ..	1	
	6100182	Main Bearing, .010" u/s, upper centre ... ..	1	
	6100181	Main Bearing, .010" u/s, upper rear inter. ... ..	1	
	6100181	Main Bearing, .010" u/s, upper rear ... ..	1	
	6100183	Main Bearing, .020" u/s, upper front ... ..	1	
	6100183	Main Bearing, .020" u/s, upper front inter. ... ..	1	
	6100184	Main Bearing, .020" u/s, upper centre ... ..	1	
	6100183	Main Bearing, .020" u/s, upper rear inter. ... ..	1	
	6100183	Main Bearing, .020" u/s, upper rear ... ..	1	
	6100185	Main Bearing, .030" u/s, upper front ... ..	1	
	6100185	Main Bearing, .030" u/s, upper front inter. ... ..	1	
	6100186	Main Bearing, .030" u/s, upper centre, ... ..	1	
	6100185	Main Bearing, .030" u/s, upper rear inter. ... ..	1	
	6100185	Main Bearing, .030" u/s, upper rear ... ..	1	
		<b>STANDARD MAIN BEARINGS—LOWER</b>		
C24	6100187	*Main Bearing—Standard Red, .0956", lower front ... ..	1	
C25	6100187	*Main Bearing—Standard Red, .0956", lower front inter....	1	
C26	6100188	*Main Bearing—Standard Red, .0956", lower centre ... ..	1	
C27	6100187	*Main Bearing—Standard Red, .0956", lower rear inter ... ..	1	
C28	6100187	*Main Bearing—Standard Red, .0956", lower rear ... ..	1	
	6100189	*Main Bearing—Standard Blue, .0960", lower front ... ..	1	
	6100189	*Main Bearing—Standard Blue, .0960", lower front inter. ... ..	1	
	6100190	*Main Bearing—Standard Blue, .0960", lower centre ... ..	1	
	6100189	*Main Bearing—Standard Blue, .0960", lower rear inter. ... ..	1	
	6100189	*Main Bearing—Standard Blue, .0960", lower rear ... ..	1	
		<b>UNDERSIZE MAIN BEARINGS—LOWER</b>		
	6100191	Main Bearing, .002" u/s, lower front ... ..	1	
	6100191	Main Bearing, .002" u/s, lower front inter....	1	
	6100192	Main Bearing, .002" u/s, lower centre ... ..	1	
	6100191	Main Bearing, .002" u/s, lower rear inter. ... ..	1	
	6100191	Main Bearing, .002" u/s, lower rear... ..	1	
	6100193	Main Bearing, .010" u/s, lower front ... ..	1	
	6100193	Main Bearing, .010" u/s, lower front inter. ... ..	1	
	6100194	Main Bearing, .010" u/s, lower centre ... ..	1	
	6100193	Main Bearing, .010" u/s, lower rear inter. ... ..	1	
	6100193	Main Bearing, .010" u/s, lower rear... ..	1	
	6100195	Main Bearing, .020" u/s, lower front ... ..	1	
	6100195	Main Bearing, .020" u/s, lower front inter. ... ..	1	
	6100196	Main Bearing, .020" u/s, lower centre ... ..	1	
	6100195	Main Bearing, .020" u/s, lower rear inter. ... ..	1	
	6100195	Main Bearing, .020" u/s, lower rear... ..	1	
	6100197	Main Bearing, .030" u/s, lower front ... ..	1	
	6100197	Main Bearing, .030" u/s, lower front inter. ... ..	1	
	6100198	Main Bearing, .030" u/s, lower centre ... ..	1	
	6100197	Main Bearing, .030" u/s, lower rear inter. ... ..	1	
	6100197	Main Bearing, .030" u/s, lower rear... ..	1	

ENGINE (Motor) — MARK 1

Plate Ref.	Rootes Part Number	DESCRIPTION	No. per Veh.	REMARKS
C29	6100156	<b>*CRANKSHAFT</b> ... ..	1	
C30	6100157	*Sprocket—Crankshaft (21 teeth) ... ..	1	
C31	6100565	Key—Sprocket to crankshaft, ( $\frac{1}{8}$ " $\times$ 1.40") ... ..	1	
C32	6100158	Oil slinger } ... ..	1	
C33	6100031	Pulley } Crankshaft ... ..	1	
C34	6100174	Damper } ... ..	1	
C35	6100501	Bolt, $\frac{3}{8}$ " $\times$ .75" long } Pulley ... ..	3	
C36	6100566	Washer—lock, $\frac{3}{8}$ " } to damper ... ..	3	
C37	6100536	Washer—Crankshaft pulley or Damper retainer ... ..	1	
C38	6100666	Bolt—Crankshaft pulley washer ... ..	1	
C39	6100139	Seal—Crankshaft rear ... ..	2	
C40	6100442	<b>FLYWHEEL AND STARTER RING (Gear)</b> ... ..	1	
C41	6100159	Starter ring (Gear)—160 teeth—13.258" O.D. ... ..	1	
C42	6100568	Bolt, $\frac{7}{8}$ " $\times$ 1 $\frac{1}{8}$ "—Flywheel to crankshaft ... ..	6	
C43	6100441	<b>*CAMSHAFT, less gear</b> ... ..	1	
	6100162	<b>BEARING KIT—STANDARD</b> ... ..	1	
C44	6100163	*Bearing, front ... ..	1	
C45	6100166	*Bearing, front intermediate ... ..	1	
C46	6100164	*Bearing, centre ... ..	1	
C47	6100167	*Bearing, rear intermediate ... ..	1	
C48	6100165	*Bearing, rear ... ..	1	
	6100169	Bearing, .015" u/s, front ... ..	1	} Camshaft
	6100170	Bearing, .015" u/s, front intermediate ... ..	1	
	6100171	Bearing, .015" u/s, centre ... ..	1	
	6100172	Bearing, .015" u/s, rear intermediate ... ..	1	
	6100173	Bearing, .015" u/s, rear ... ..	1	
C49	6100532	Sealing disc—Rear bearing ... ..	1	
C50	6100168	*Sprocket—42 teeth ... ..	1	
C51	6100531	Spacer—Sprocket ... ..	1	
C52	6100533	Thrust plate ... ..	1	
	6100563	Bolt, $\frac{1}{2}$ " $\times$ $\frac{5}{8}$ " hex. head—Thrust plate to sprocket ... ..	2	
C53	6100564	Screw, $\frac{1}{4}$ " $\times$ $\frac{5}{8}$ "—Thrust plate to block ... ..	2	
C54	6100534	Washer—Camshaft sprocket ... ..	1	
C55	6100535	Eccentric—Camshaft fuel pump drive ... ..	1	
C56	6100671	Bolt ... ..	1	} Sprocket
C57	6100566	Washer—Spring } to camshaft ... ..	1	
C58	6100155	<b>TIMING CHAIN (58 links)</b> ... ..	1	
A59	6100445	<b>OIL PUMP—Rotor type</b> ... ..	1	
A60	6100137	Gasket—Oil pump screen cover and inlet tube ... ..	1	
A61	6100138	Gasket—Oil pump to block ... ..	1	
A62	6100446	Rotor and shaft assembly—Oil pump drive ... ..	1	
A63	6100214	Plate—Oil pump body ... ..	1	
A64	6100540	Plug ... ..	1	} Oil pump body relief valve
A65	6100495	Plunger } ... ..	1	
A66	6100494	Spring } ... ..	1	
A67	6100541	Shaft—7.44" long—Oil pump intermediate ... ..	1	
A68	6100542	Retaining ring, .52" O.D.—6 prongs ... ..	1	
A69	6100437	Screen, Tube and cover assy.—Oil pump ... ..	1	
A70	1224808	Oil level indicator (Dipstick)... ..	1	Superseded by 6100734
	6100734	Oil level indicator (Dipstick) ... ..	1	
A71	6100498	Tube—Oil level indicator (Dipstick) ... ..	1	
		Bolt—Tube to cylinder head—See Dynamo (Generator) Section		



ENGINE (Motor) — MARK 1

Plate Ref.	Rootes Part Number	DESCRIPTION	No. per Veh.	REMARKS
A72	6100447	<b>SUMP (Oil pan)</b> (Must be used with C3OZ-6622-A) ...	1	} Not supplied separately (Includes items marked †)
A73	6100497	Drain plug—Sump (Oil pan) ...	1	
A74	6100143	†Gasket—Drain plug (Nylon) ...	1	
A75		†Gasket, R.H. } Cork and rubber } ...	...	
A76		†Gasket, L.H. } .09" thick } Sump (Oil pan) ...	...	
AC77		†Seal—Front and rear (Rubber) } ...	...	
	6100217	Gasket set—Sump (Oil pan) ...	1	
D78	6100448	<b>OIL FILTER ELEMENT (With Gaskets)—Disposale</b> "Spin on" type ...	1	
D79	1224768	Adaptor—Oil filter to hoses ...	1	
D80	1224730	Bolt, special } ...	1	
	1236083	Bolt, special } Adaptor ...	1	
D81	9078049	Joint washer } ...	1	Up to B382000722 From B382000723
D82	1224819	<b>HOSE—Short</b> } Oil filter ...	1	
D83	1224820	<b>HOSE—Long</b> } to engine (Motor) ...	1	From B382001094
	9179051	Clip—Hose ...	1	
D84	1224767	Adaptor—Hoses to engine (Motor) ...	1	Up to B382000722 From B382000723
D85	1224728	Gasket—Adaptor to engine (Motor) ...	1	
	1236108	Gasket—Adaptor to engine (Motor) ...	1	From B382001094
D86	1224729	Bolt, special } Adaptor ...	1	
D87	9078049	Joint washer } ...	1	Up to B382000722 From B382000723
D88	1224900	Mounting bracket—Oil filter ...	1	
	5220699	Screw, $\frac{3}{8}$ " U.N.C. $\times$ $\frac{3}{4}$ " hex. } Oil filter bracket ...	2	
	9661241	Spring washer, $\frac{3}{8}$ " } to engine (Motor) ...	2	
D89	1224753	Clamp—Oil filter mounting bracket ...	1	From B382001094
	19505061	Screw, $\frac{5}{16}$ " U.N.F. $\times$ $\frac{3}{4}$ " } ...	1	
	5200485	Spring washer, $\frac{5}{16}$ " } Clamp ...	1	
	5220701	Nut, $\frac{5}{16}$ " U.N.F. } ...	1	
B90	6100152	<b>CYLINDER HEAD</b> ...	2	} (When Heater not fitted) } When heater fitted
B91	6100537	Stud, .003" o/s (2) .015" deep grooves—Valve rocker arm shaft support ...	16	
A92	6100510	Dowel, .676" O.D. $\times$ .44" long (split)—Cylinder head to block ...	4	
A93	6100359	Plug, $1\frac{1}{2}$ " O.D. cup type—Cylinder head end ...	2	
	6100360	Plug—Cylinder head core holes ...	2	
AB94	6100134	Gasket—Cylinder head to block ...	2	
B95	6100361	Bolt, $\frac{7}{16}$ " $\times$ 2.26"/2.32" } Cylinder ...	10	
B96	6100362	Bolt, $\frac{7}{16}$ " $\times$ 3.88"/3.94" } head ...	10	
		Temperature transmitter (As Alpine)—See Electrical Section.		
D97	1224824	Housing—Temperature transmitter ...	1	
	1224826	Housing—Temperature transmitter ...	1	
	1224827	"T" piece—Water return ...	1	
B98	6100204	<b>INLET (Intake) VALVE</b> —Standard stem dia., .3420" ...	8	
	6100205	Inlet (Intake) Valve—Stem size .003", dia .3449" ...	8	
	6100206	Inlet (Intake) Valve—Stem size .015", dia .3569" ...	8	
	6100207	Inlet (Intake) Valve—Stem size .030", dia .3719" ...	8	
B99	6100200	<b>EXHAUST VALVE</b> —Standard, stem dia .3410" ...	8	
	6100201	Exhaust Valve—Stem size .003", dia .3439" ...	8	
	6100202	Exhaust Valve—Stem size .015", dia .3559" ...	8	
	6100203	Exhaust Valve—Stem size .030", dia .3709" ...	8	
B100	6100208	Valve Spring (7 coils—2.09" free length) ...	16	
B101	6100436	Seal—Valve guide and valve stem ...	16	
B102	6100209	Retainer—Valve spring ...	16	
	6100499	Spacer—Valve spring (1.36" O.D. $\times$ .995"/1.005" I.D. .030" thick) ...	A/R	
B103	6100210	Cotter—Valves ...	32	

ENGINE (Motor) — MARK 1

Plate Ref.	Rootes Part Number	DESCRIPTION	No. per Veh.	REMARKS
B104	6100211	Baffle—Valve push rod valley ... ..	1	
B105	6100199	TAPPET—Hydraulic (.8740/.8745" O.D.—2" long)	16	
B106	6100213	Push rod (6.825" long) ... ..	16	
B107	6100212	<b>ROCKER ARM</b> ... ..	16	
B108	6100500	Fulcrum seat—Rocker arm ... ..	16	
D109	6100670	Nut—Rocker stud ... ..	16	
D110	6100443	Rocker cover, O/S (R.H.) } Chrome	1	
	6100444	Rocker cover, N/S (L.H.) }	1	
D111	6100136	Gasket—Rocker cover (.17" thick) ... ..	2	
A112	1229842	Cap—Oil filler (chrome) ... ..	1	
A113	6100282	<b>WATER PUMP UNIT</b> ... ..	1	
A114	6100285	Shaft and bearing ... ..	1	
A115	6100286	Hub—Pulley ... ..	1	
A116	6100287	Seal ... ..	1	
A117	6100284	Impellor ... ..	1	
	6100146	Gasket—Housing ... ..	1	For water pumps with alum. body
	6100770	Gasket—Housing ... ..	1	For water pumps with cast iron body
A118	6100290	By-pass hose ... ..	1	
	6100288	<b>THERMOSTAT—160°F.</b> ... ..	1	
	6100702	<b>THERMOSTAT—185°/192°</b> ... ..	1	
A119	6100289	<b>WATER (Top) OUTLET PIPE</b> ... ..	1	
A120	6100145	Gasket—Water outlet pipe to cylinder head	1	Superseded by 6100281
	6100281	Gasket—Water outlet pipe to cylinder head	1	
<b>MANIFOLDS</b>				
A121	6100247	<b>INDUCTION MANIFOLD</b> ... ..	1	
	6100943	Screw and washer, $\frac{5}{16}$ "—18 × 1.95"—Induction manifold to cylinder block	12	
	6100756	Elbow—Heater connection ... ..	1	
	6100760	<b>INDUCTION MANIFOLD GASKET KIT</b> ... ..	1	
B122		Gasket—Induction manifold to cylinder heads		} Not supplied separately
A123		Seal—Rear } Induction Manifold		
A124		Seal—Front } to cylinder block		
D125	1224642	<b>EXHAUST MANIFOLD, O/S (R.H.)</b> ... ..	1	
D126	6100043	Insert—Carb. thermostat choke control ... ..	1	
D127	6100044	Adaptor—Thermostatic choke control inlet tube	1	
B128	6100296	<b>EXHAUST MANIFOLD, N/S (L.H.)</b> ... ..	1	
B129	6100040	Locking tab—Exhaust manifold mounting bolt	8	
B130	6100602	Bolt, $\frac{3}{8}$ " × 1 $\frac{1}{2}$ " long } Exhaust manifolds	8	
B131	6100603	Bolt, $\frac{3}{8}$ " × 2" long } to cylinder heads	8	
<b>CARBURETTOR</b>				
		Carburettor—See Carburettor section.		
A132	6100604	Stud, $\frac{5}{16}$ " × 2 $\frac{1}{2}$ "—Carburettor to intake manifold...	4	
	6100358	Connector } Carburettor to Induction	1	
	6100298	Gasket } Manifold Spacer	1	
A133	6100457	Spacer—Carburettor to intake manifold	1	
A134	6100298	Gasket—Spacer to intake manifold	1	
D135	6100025	Gasket—Carburettor to air cleaner	1	
	1224609	Hose—Spacer to engine (Motor) ... ..	1	When Heater not fitted
D136	6100036	Tube—Choke thermostat housing to O/S (R.H.) exhaust manifold	1	
D137	6100037	Insulating sleeve—Thermo choke tube	1	
D138	6100038	Olive } Tube to choke	1	
D139	6100618	Nut } thermostat housing	1	

ENGINE (Motor) — MARK 1

Plate Ref.	Rootes Part Number	DESCRIPTION	No. per Veh.	REMARKS
<b>AIR CLEANER</b>				
D140	1224830	AIR CLEANER	1	} Not supplied
D141		Bottom plate	1	
D142		Top plate	1	
D143	5042656	Element seating gasket	2	
D144	5042655	Element	1	
D145	1224657	Stud—Air cleaner	1	
D146	9550040	Nut, 1/4" U.N.C. } Air cleaner	1	
D147	9067015	Washer, 1/4" plain } to stud	1	
	1224805	Hose—Engine (Motor) breather to air cleaner	1	
	9782141	Clip—Hose	2	
D148	1224893	Rubber tube—Air cleaner to choke control breather	1	
D149	1224892	Breather tube (Bundy 17 1/2" long)—Thermo choke adaptor to Air Cleaner	1	
		Adaptor—Thermo choke—See Exhaust Manifold.		
<b>DYNAMO (Generator)</b>				
		DYNAMO (Generator)—See Electrical Section		
	6100021	Bracket—Dynamo (Generator) mounting	1	Up to B9471618 From B9471619
	6100698	Bracket—Dynamo (Generator) mounting	1	
	1229843	Arm—Dynamo (Generator) adjusting, R.H.D.	1	
	6100022	Arm—Dynamo (Generator) adjusting, L.H.D.	1	
	6100620	Bolt, 7/16" x 1 1/8" Hex. hd. } Dynamo (Generator)	1	
	6100621	Bolt, 7/16" x 1 1/8", Hex. hd. } to mounting bracket	1	
	6100581	Lockwasher, 7/16" ... } to mounting bracket	2	
	6100623	Nut, 7/16" Hex. ... } to mounting bracket	2	
	6100594	Bolt, 3/8" x 1" } Adjusting	1	
	6100566	Lockwasher, 3/8" } arm to	1	
	6100588	Washer 3/8" plain } Dynamo (Generator)	1	
	6100597	Bolt, 5/16" x 1" Hex. } Adjusting	1	
	6100646	Lockwasher, 5/16" ... } arm to	1	
	6100599	Washer, 5/16" plain } block	1	
	6100619	Bolt, 3/8" x 1-62", Hex. hd.—Self locking—Dipstick tube and Dynamo (Generator) mounting bracket to cylinder head	3	
<b>STARTER</b>				
		STARTER—See Electrical Section		
	6100594	Bolt, 3/8" x 1" } Starter to clutch housing	2	Superseded by 9661243
	6100595	Lockwasher, 3/8" ... } Starter to clutch housing	2	
	9661243	Lockwasher, 3/8" ... } Starter to clutch housing	2	
<b>FAN</b>				
A150	6100041	FAN BLADE	1	
A151	6100033	Fan pulley	1	
	6100593	Bolt, 5/16" x 3/4"—Pulley to hub	4	
	1229823	Belt—Fan and Dynamo (Generator), R.H.D.	1	
D152	6100024	Belt—Fan and Dynamo (Generator), L.H.D.	1	
<b>DISTRIBUTOR</b>				
		DISTRIBUTOR—See Electrical Section		
D153	1224812	Suction pipe—Distributor auto advance	1	

ENGINE (Motor) — MARK 1

Plate Ref.	Rootes Part Number	DESCRIPTION	No. per Veh.	REMARKS
		<b>IGNITION COIL</b> IGNITION COIL—See Electrical Section		
		<b>PETROL (Fuel) PUMP</b> PETROL (Fuel) PUMP MOUNTINGS—See Petrol (Fuel) Pump Section PETROL (Fuel) PUMP—See Petrol (Fuel) Pump Section PETROL (Fuel) PIPES—See Petrol (Fuel) System Section		
		<b>PETROL (Fuel) FILTER</b> PETROL (Fuel) FILTER—See Petrol (Fuel) System Section		
		<b>OIL GAUGE</b> OIL GAUGE—See Electrical Section.		
	1229801	Nylon pipe c/w fittings—Oil gauge to Engine (Motor) ...	1	R.H.D.
	1224759	Nylon pipe c/w fittings—Oil gauge to Engine (Motor) ...	1	L.H.D.
	9118550	Grommet—Oil gauge pipe ... ..	1	
	9151205	Adaptor—Pipe to block ... ..	1	
		<b>SPARKING PLUGS</b> SPARKING PLUG ... .. } See Electrical Section High Tension (Ignition) cable ... .. }		
		<b>GEARBOX (TRANSMISSION) REAR SUPPORT</b> Transmission Rear Support—See Gearbox (Transmission) Section		
	6100161	<b>ENGINE (Motor) NAME PLATE</b> Engine name plate ... ..	1	
		<b>CRANKCASE VENTILATION</b>		
D154	6100538	Hose—Crankcase ventilation tube ... ..	1	
D155	6100669	Clips—Hose ... ..	2	
D156	6100215	Valve assembly—Crankcase ventilation regulator ... ..	1	
D157	6100667	Adaptor } Ventilation ... ..	1	
D158	6100668	Adaptor } regulator ... ..	1	
		<b>ENGINE (Motor) MOUNTINGS</b>		
D159	6100546	Support rubber, O/S (R.H.) } Front engine ... ..	1	
	6100547	Support rubber, N/S (L.H.) } (Motor) mounting ... ..	1	
D160	6100371	Heat shield ... ..	2	
	6100555	Bolt, $\frac{7}{16}$ " $\times$ $\frac{7}{8}$ " long hex. hd. } Support rubbers ... ..	4	
	6100554	Washer, $\frac{7}{16}$ " spring, lock } to Engine (Motor) ... ..	4	
	6100556	Washer, $\frac{1}{2}$ " plain } Support rubbers ... ..	2	
	6100557	Nut, $\frac{1}{2}$ " lock—Hex. } to brackets ... ..	2	
D161	1224610	Bracket, O/S (R.H.) } Engine (Motor) ... ..	1	
	1224611	Bracket, N/S (L.H.) } mounting ... ..	1	
	19106241	Bolt, $\frac{3}{8}$ " U.N.F. $\times$ 3" } Mounting brackets ... ..	6	
	9067041	Washer, $\frac{3}{8}$ " plain } to ... ..	6	
	9664243	Washer, $\frac{3}{8}$ " shakeproof } side member ... ..	6	
	5220686	Screw, $\frac{3}{8}$ " UNF. $\times$ $\frac{1}{4}$ " } Mounting bracket ... ..	4	
	9660243	Washer, $\frac{3}{8}$ " spring } to frame ... ..	4	

ENGINE (Motor) — MARK 1

Plate Ref.	Rootes Part Number		DESCRIPTION	No. per Veh.	REMARKS
	6100132		<p align="center"><b>GASKET SETS</b></p> <p><b>COMPLETE ENGINE (Motor) OVERHAUL GASKET SET</b>                      Note. The above consists of Front cylinder, Cylinder head, Rocker cover, Oil tube flange, Oil pump to block, Sump, Vent tube, Water outlet, Water pump, Fuel pump and Inlet manifold gaskets. Also included are Valve stem, Crankshaft, Sump and Manifold Seals.</p>	1	
	6100153		<p><b>VALVE GRIND GASKET SET</b> ... ..                      Note. The above consists of Cylinder head, Rocker cover, Vent tube, Water outlet and Manifold gaskets. Also included are Valve Stem seals and Inlet Manifold seals.</p>	1	